

T-500

Outdoor burner, sturdier with larger gas circulation area.

Gas burner for **household use**.
Perfect for rice dishes, paellas, fideuas, barbecues, grilling or stewing.

Patented Optim System

Greater gas flow.
Stronger and richer fire.
Flame positioned laterally.
Higher flame reach.
Better combustion.

NEW!!!

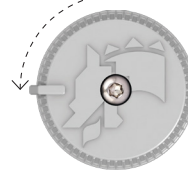
THREE-POSITION TAP (for shut-off, high and for very precise low position thanks to the Minimum System).

Model certified according to European Regulation UE 2016/426 and European Standards UNE EN 497 and UNE EN 437.

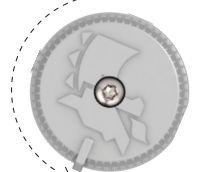
OFF Turn off position



ON Maximum



Minimum System



Minimum System. Allows precise control of very low flame, easing the cooking process.



Model 1 Gas (mbar) / Power (kw)

Butane 29 mbar / 15,50 kw

Propane 37 mbar / 15,50 kw

Model 2 Gas (mbar) / Power (kw)

Natural gas 20 mbar / 21,50 kw

Gas burner diameter

50 cm

Recommended paella pan diameter

65 to 80 cm

Cooking volume capacity 

50 to 150 l

Recommended maximum weight

33 kg*

OBSERVATIONS

BUTANE

The burner must be connected to a butane gas bottle by means of a flexible tube. This tube, which must not be out of date, will be clamped to the paella pan at one end and to the 30 mbar regulator attached to the bottle at the other end.

PROPANE

Gas installation: The burner must be connected to the installation by means of a standard hose.

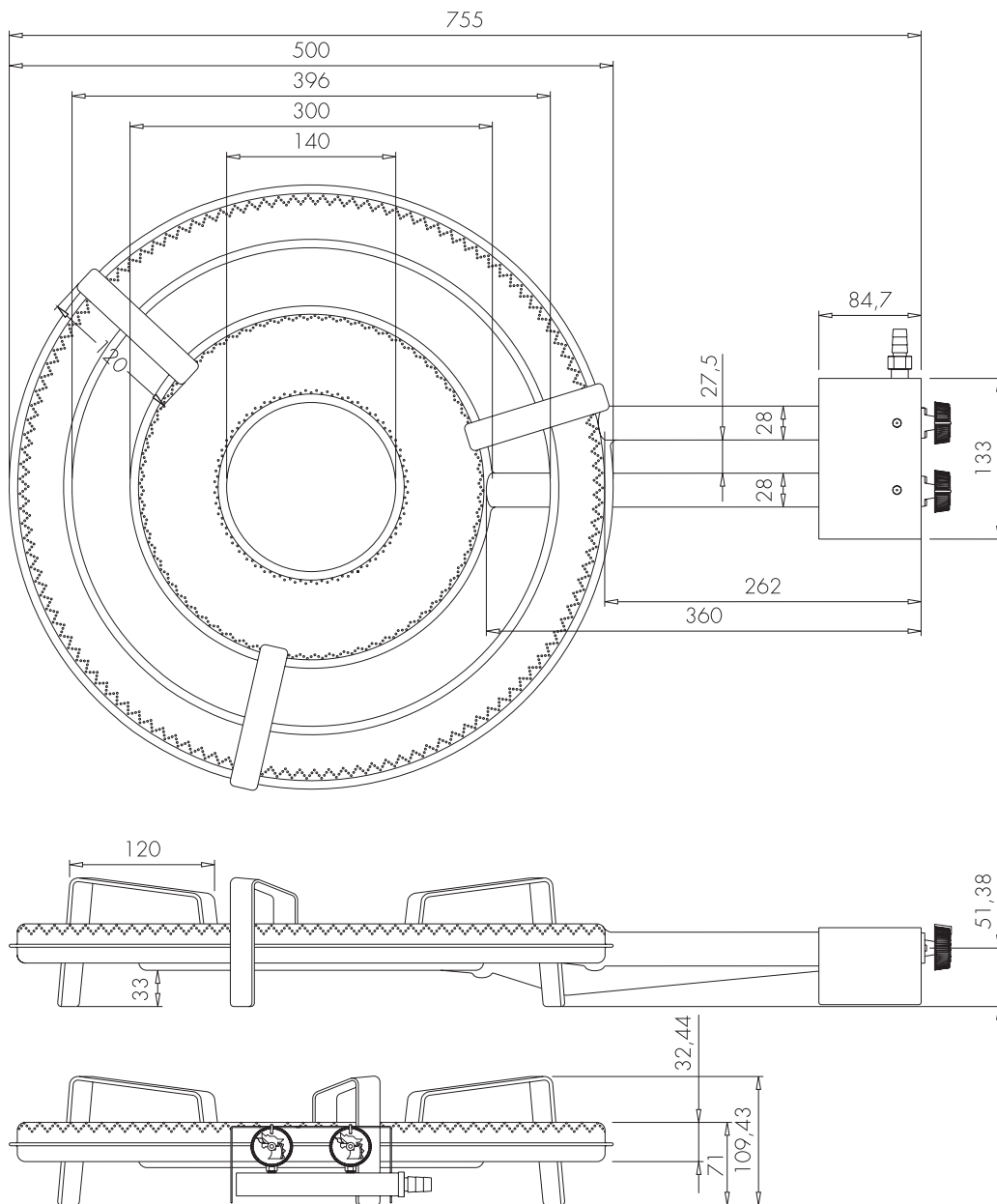
Propane bottles: Must be connected to a bottle of propane gas by means of a standard hose. The hose is to be attached to one end of the burner using clamps. The other end is to be attached to the 37 or 50 mbar regulator that is coupled to the bottle. The hose must not have exceeded its expiry date.

NATURAL GAS

Must be connected to a gas installation by means of a standard hose. It is recommended to contact an authorized gas installer if a suitable installation has not been prepared.

⚠ VERY IMPORTANT. The paella burner must be used outdoors. Do not use the burner with gas other than that for which it is intended. If only the inner rings are used, it is recommended to protect the outer rings to avoid blockages. If bottles are used, it is advisable to have a spare to exchange in case of reduced performance.

* For higher weight, we recommend the use of additional support.



Optimgas S.L.

Pol. Industrial Sur, parcela 29
46230 Alginet, Valencia - Spain
T. +34 96 175 35 56 / +34 96 175 13 04
info@flamesvlc.com

