

# giant paella pan



Valencian style paella pan, appropriate for gastronomic events, catering and traditional feasts.

Manufactured from 4 mm polished steel sheet.  
Round edge finish and riveted handles.

160 cc diameter. Appropriate for gas and firewood.



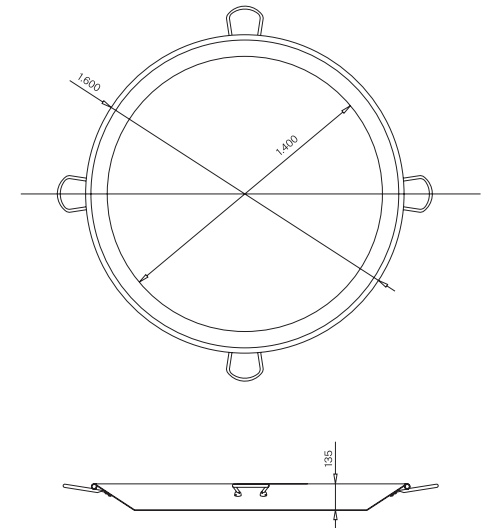
www.flamesvlc.com

**FLAMES VLC**  
gas burners



## OBSERVATIONS

After using the paella pan, clean with soapy water and dry quickly. To prevent rusting, we recommend coating the pan with a fine layer of mineral oil after cleaning.



N° RGSEAA / N° RSEAM 39.005086/V N° DCA: 5173

Ø	Servings	Handles	Steel sheet thickness	Ø Outside	Ø Inside	Heigh	Volume capacity
160 cm	200 - 400	4	4 mm	162 cm	140 cm	13,5 cm	210 l